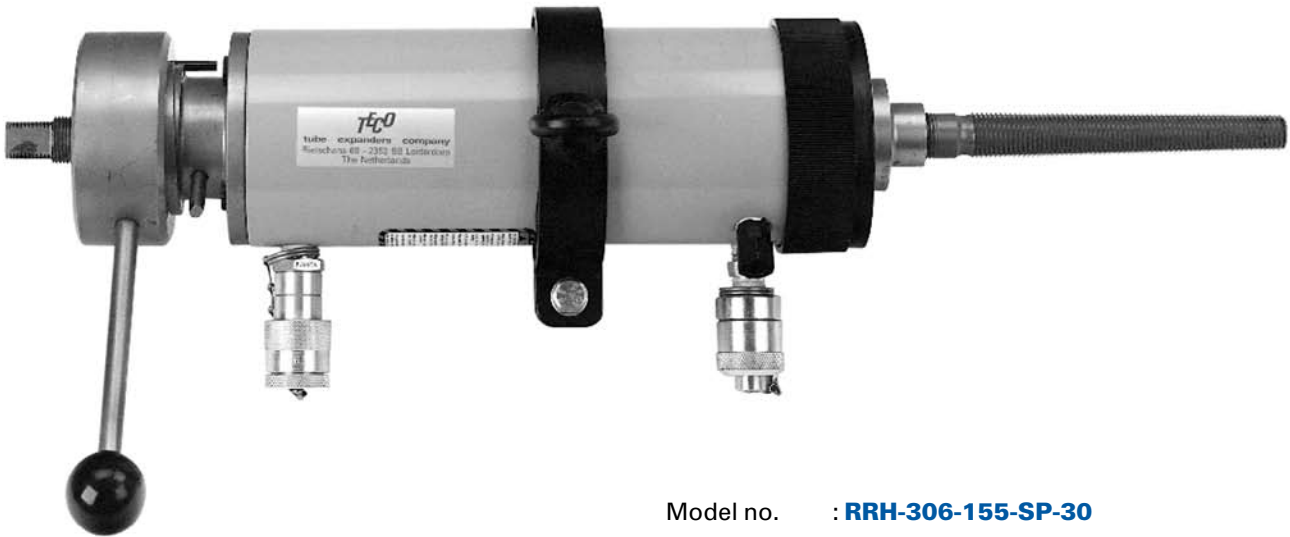


TECO TUBE PULLING SYSTEMS

HYDRAULIC RAM FOR SPEAR TYPE TUBE PULLER



Model no. : **RRH-306-155-SP-30**

Lightweight Hydraulic Double Acting Ram.

Capacity : 30 ton pulling power at 700 bar.
Stroke : 155 mm (6")
Cylinder O.D. : 120 mm (4 3/8")
Length : 440 mm (17 3/8")
Weight : 25 kg (55 lbs)

ADAPTER



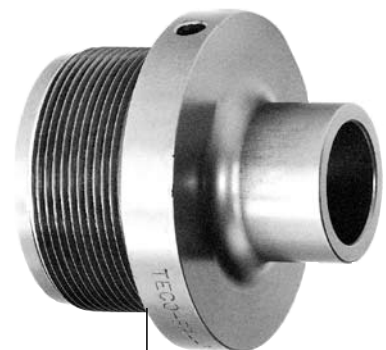
2

JAW



3

COLLAR



4

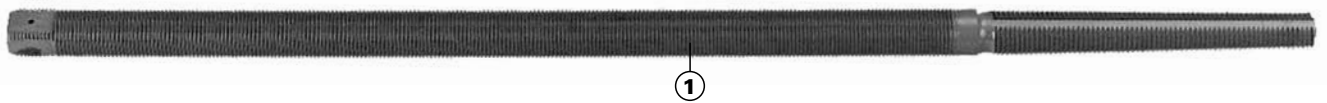
HYDRAULIC OPERATED SPEAR TYPE TUBE PULLER FOR HEAT EXCHANGER AND BOILER TUBES

The hydraulic spear model tube puller is used to remove tubes from heat exchangers before re-tubing without damaging the tube sheet holes.

The spear is screwed into the relevant tube by means of an impact wrench or slow running nutrunner motor.

The hydraulic cylinder with collar and quick action chuck is placed over the puller mandrel. The jaws are then closed around the thread on the puller mandrel by manual operation.

The tube is now ready to be removed by actuating the hydraulic ram.



SPEAR TYPE TUBE PULLER

| Tube Size O.D. and GA | Model ① Spear no. | Collar ④ no. | Diameter small end | Diameter large end | Square | Thread on rear end of spear | Jaw ③ no. | Adapter ② |
|--|-------------------|--------------|--------------------|--------------------|--------|-----------------------------|-----------|--------------------------------|
| 1/2"-12-15BWG | HTP-1 | HPC-1/2" | .276" 7 mm | .407" 10.3 mm | 5/8" | M19x2 | M19x2 | 3/4" x 5/8" or 1" x 5/8" |
| 1/2"-15-22BWG & 5/8"-10-13BWG | HTP-2 | HPC-1/2" | .354" 9 mm | .485" 12.3 mm | 5/8" | M19x2 | M19x2 | |
| 5/8"-13-18BWG & 3/4"-9-12BWG | HTP-3 | HPC-5/8" | .453" 11.5 mm | .584" 14.8 mm | 5/8" | M19x2 | M19x2 | |
| 5/8"-18-24BWG & 3/4"-12-15BWG | HTP-4 | HPC-5/8" | .531" 13.5 mm | .663" 16.8 mm | 5/8" | M19x2 | M19x2 | |
| 3/4"-15-19 BWG, 7/8"-11-13BWG & 1"-7-8BWG | HTP-5 | HPC-3/4" | .571" 15.5 mm | .741" 18.8 mm | 5/8" | M19x2 | M19x2 | |
| 7/8"-13-17BWG & 1"-8-11BWG | HTP-6 | HPC-7/8" | .689" 17.5 mm | .820" 20.8 mm | 3/4" | M25x2 | M25x2 | 3/4" x 3/4" or 1" x 3/4" |
| 1"-11-14BWG & 1 1/8"-7-9BWG | HTP-7 | HPC-1" | .748" 19 mm | .879" 22.3 mm | 3/4" | M25x2 | M25x2 | |
| 1"-14-20BWG & 1 1/8"-9-12BWG | HTP-8 | HPC-1" | .846" 21.5 mm | .978" 24.8 mm | 3/4" | M25x2 | M25x2 | |
| 1 1/8"-12-15 BWG | HTP-9 | HPC-1 1/8" | .905" 23 mm | 1.037" 26.3 mm | 3/4" | M25x2 | M25x2 | |
| 1 1/8"-15-24 BWG & 1 1/4"-8-10BWG | HTP-10 | HPC-1 1/8" | 1.004" 25.5 mm | 1.135" 28.8 mm | 3/4" | M25x2 | M25x2 | 1" x 3/4" |
| 1 1/4"-14-18 BWG | HTP-11 | HPC-1 1/4" | 1.083" 27.5 mm | 1.214" 30.8 mm | 3/4" | M25x2 | M25x2 | |
| 1 1/4"-18-24 BWG & 1 1/2"-8-10 BWG | HTP-12 | HPC-1 1/4" | 1.161" 29.5 mm | 1.293" 32.8 mm | 1" | M30x2 | M30x2 | |
| 1 1/2"-10-13 BWG | HTP-13 | HPC-1 1/2" | 1.240" 31.5 mm | 1.371" 34.8 mm | 1" | M30x2 | M30x2 | 1" x 1" or 1 1/2" x 1" |
| 1 1/2"-13-17 BWG | HTP-14 | HPC-1 1/2" | 1.319" 33.5 mm | 1.450" 36.8 mm | 1" | M30x2 | M30x2 | |